
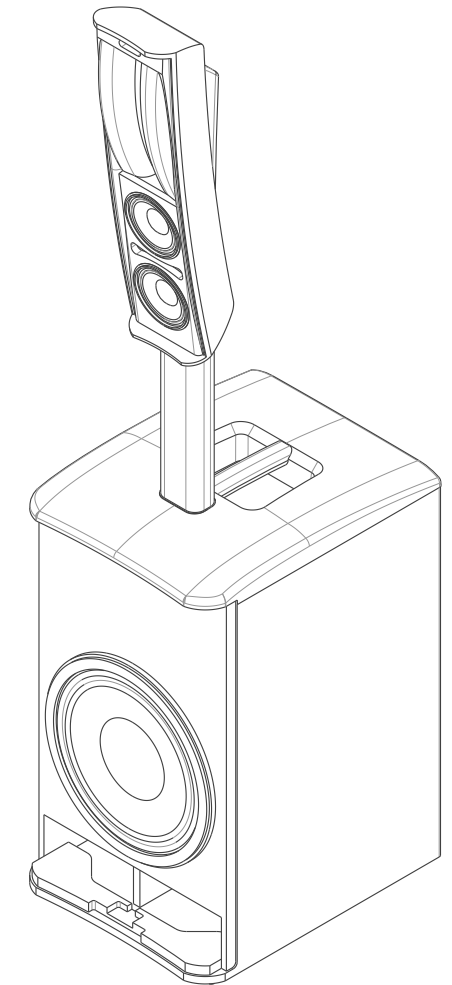
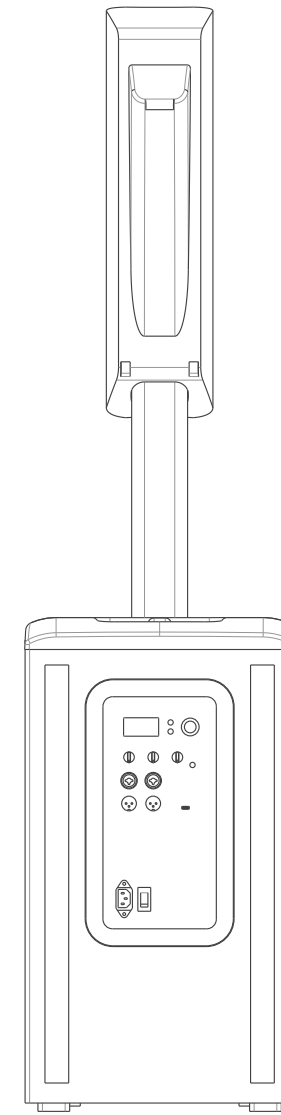
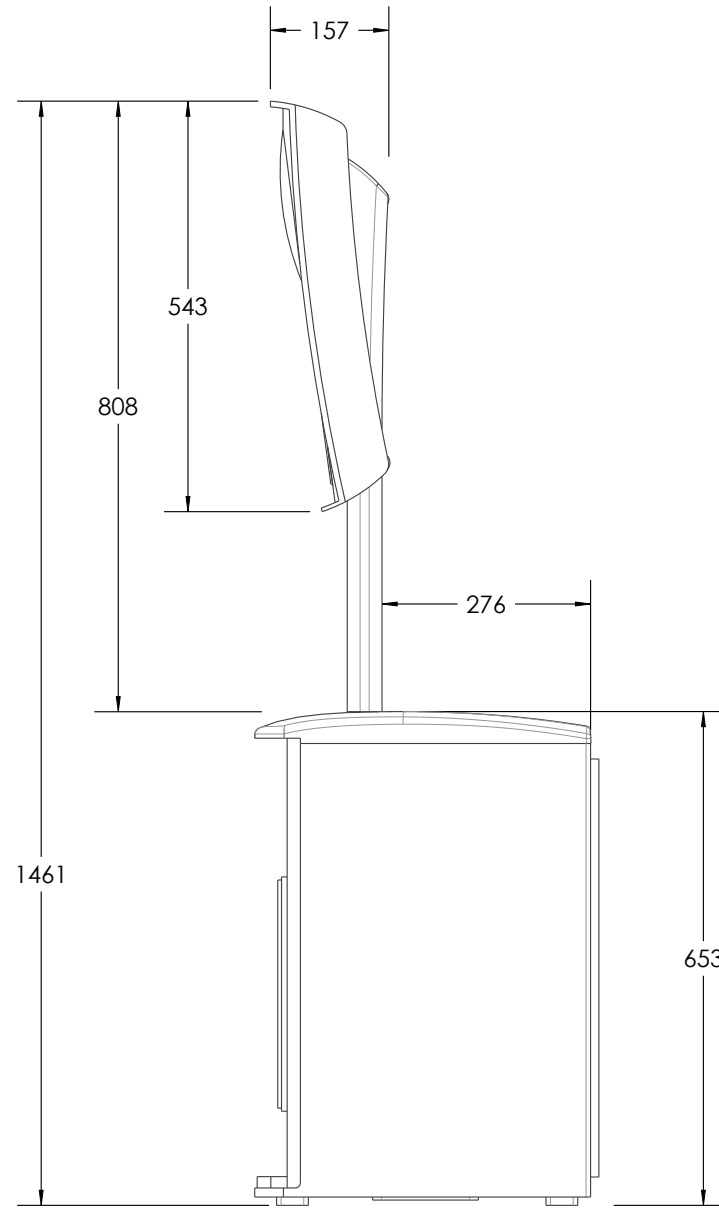
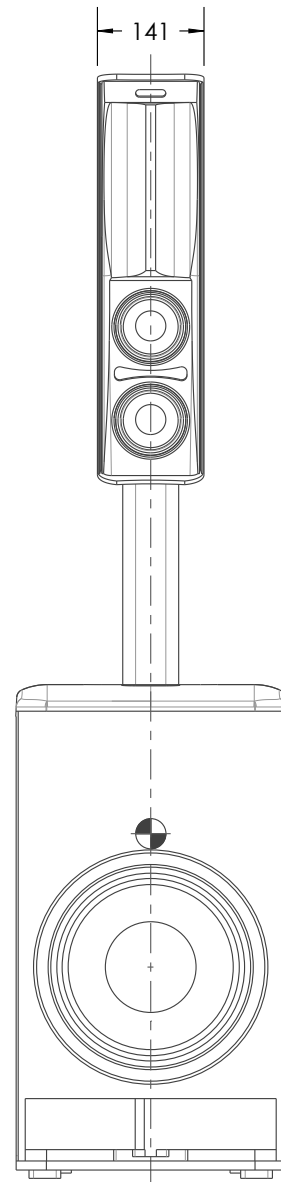
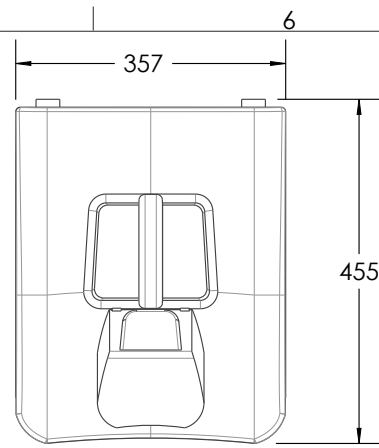


THIS DOCUMENT CONTAINS CONFIDENTIAL OR PROPRIETARY INFORMATION WHICH IS THE PROPERTY OF QSC, LLC, THAT MAY NOT BE DISCLOSED, REPRODUCED OR USED WITHOUT EXPRESS WRITTEN CONSENT FROM QSC, LLC. NO PORTION OF THIS DOCUMENT MAY BE REPRODUCED, REDISTRIBUTED, OR OTHERWISE DISCLOSED TO ANY THIRD PARTY WITHOUT QSC'S WRITTEN PERMISSION.

REVISION			
REV	DESCRIPTION	BY	DATE
A	INITIAL RELEASE	SS	25-JUN-24

NOTES: UNLESS OTHERWISE SPECIFIED

- PARTS ARE SYMMETRICAL ABOUT CENTER LINES UNLESS OTHERWISE NOTED.
- SYMBOL  INDICATES CENTER OF GRAVITY.
- GRILLE NOT SHOWN FOR CLARITY.



240

STANDARD LOUDSPEAKER ASSEMBLY
NET WEIGHT APPROXIMATELY 25.5 KG [56 LBS]

UNLESS OTHERWISE SPECIFIED
DIMENSIONS ARE IN MM [IN]
TOLERANCES ARE:
DECIMALS ANGLES
X ± 3 [.12] ± 1°

CAD GENERATED DRAWING
DO NOT MANUALLY UPDATE

QSC QSC, LLC
1675 MACARTHUR BOULEVARD
COSTA MESA, CA 92626 USA

MATERIAL SEE NOTES

APPROVALS
DRAWN BY
J. DELARM

**LOUDSPEAKER,
KC12,100-240V**

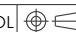
FINISH SEE NOTES

MECH ENGINEER
T. AMUNDSON

SIZE CAGE CODE DWG. NO. REV
B 00PW4 FG-901483-2D A

DO NOT SCALE DRAWING

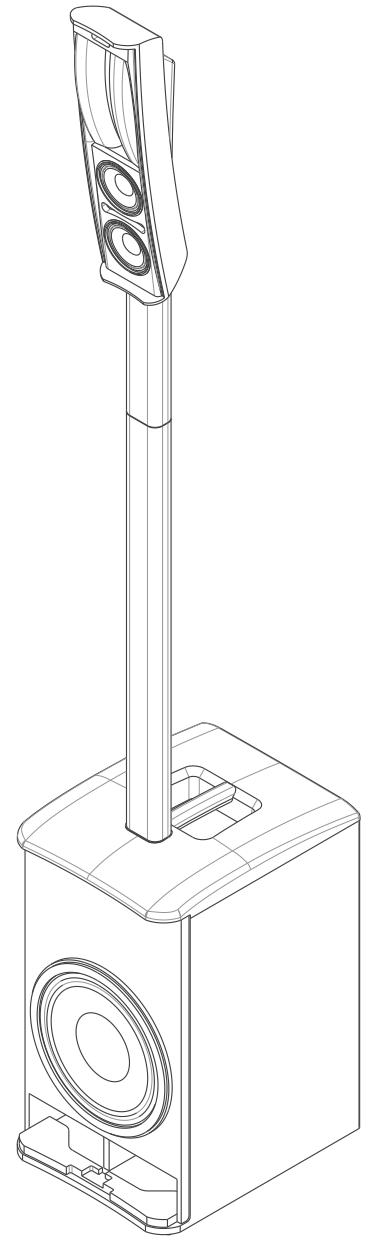
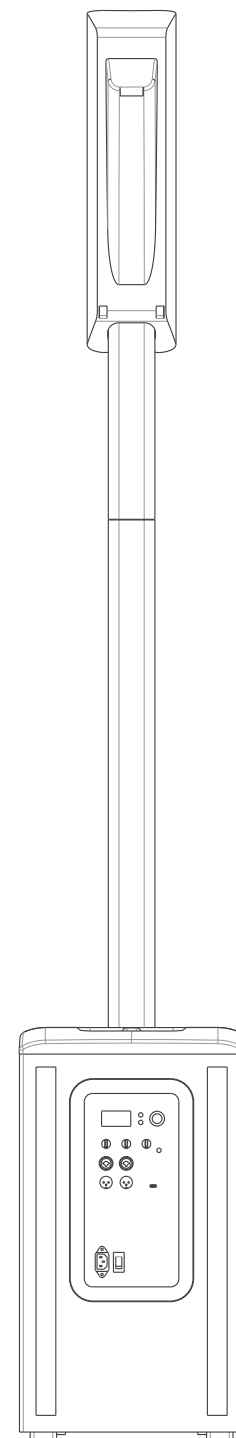
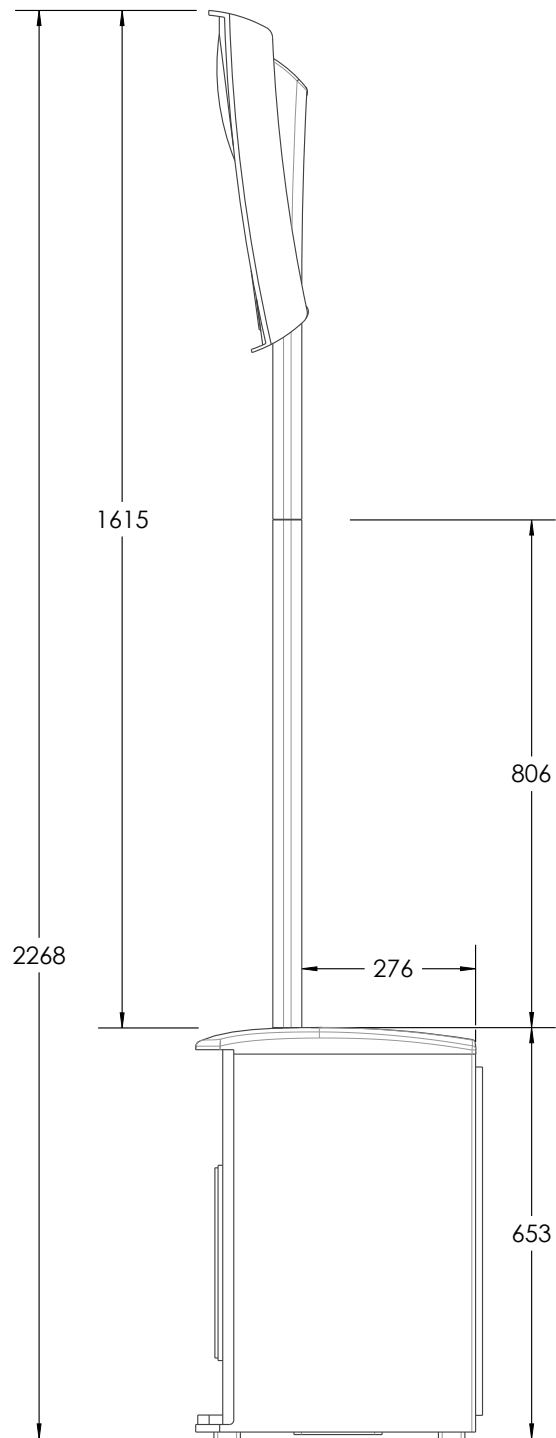
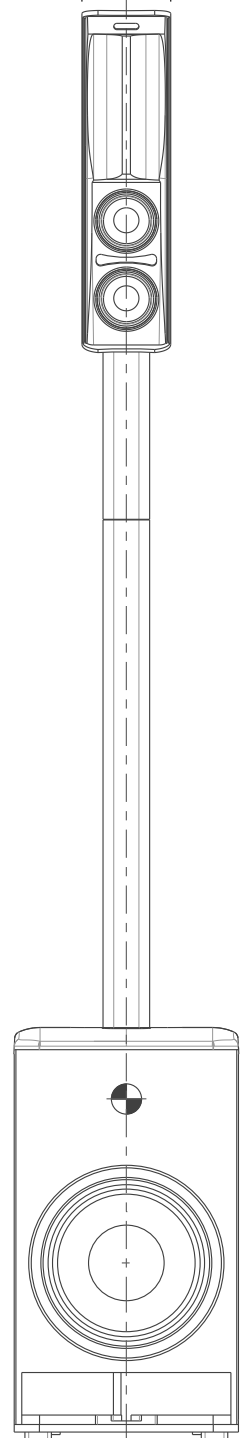
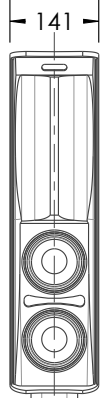
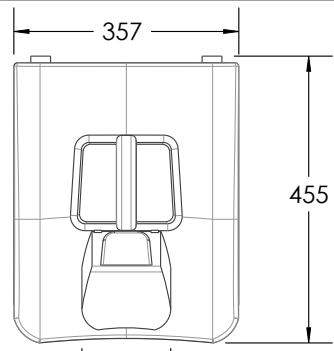
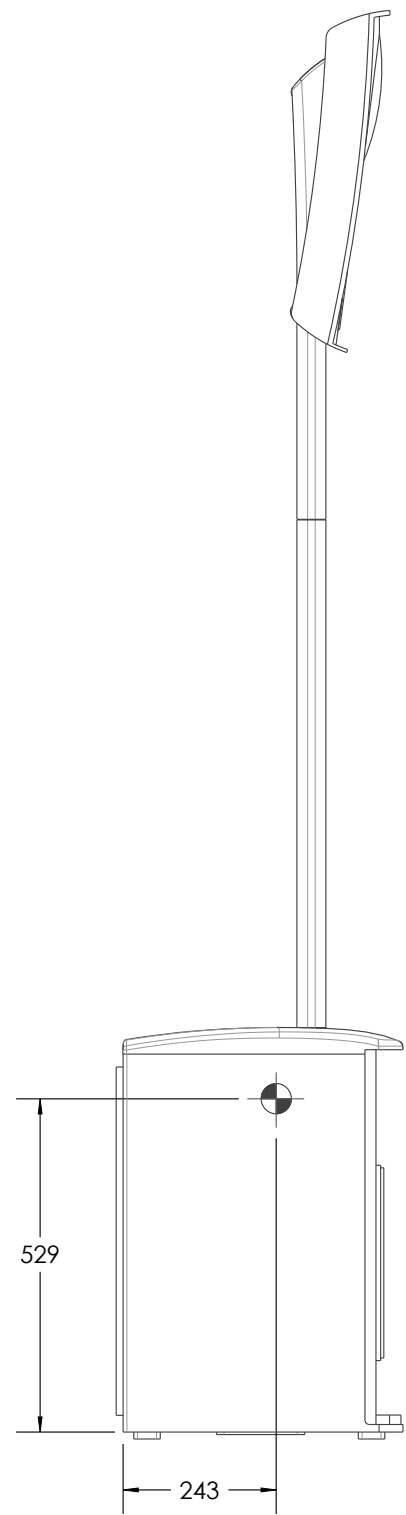
TECH DIRECTOR
C. SMOLEN

PROJECTION SYMBOL 

MFG ENGINEER
C. YOMOGIDA

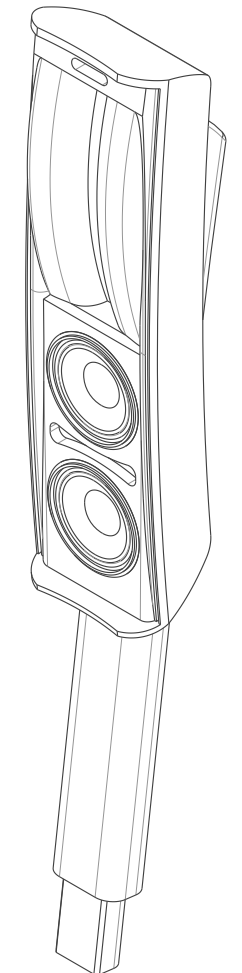
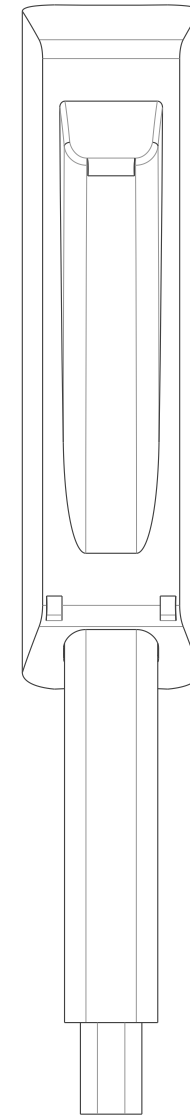
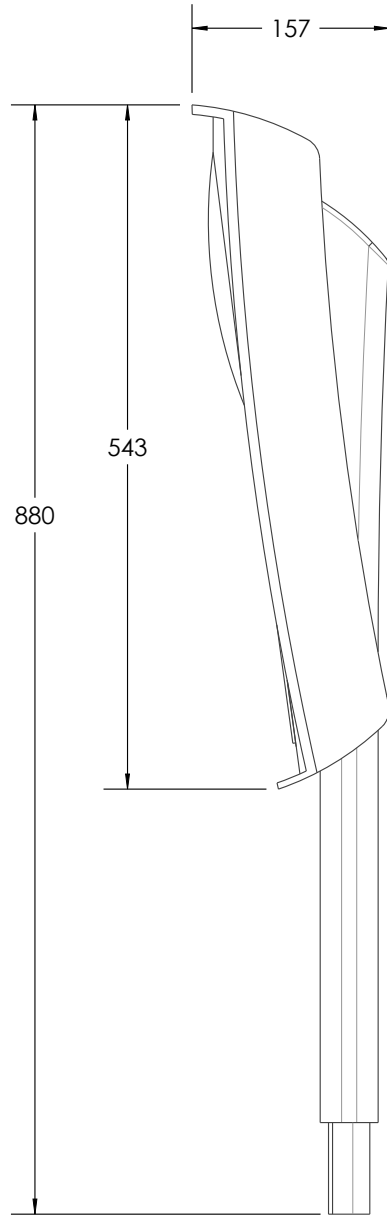
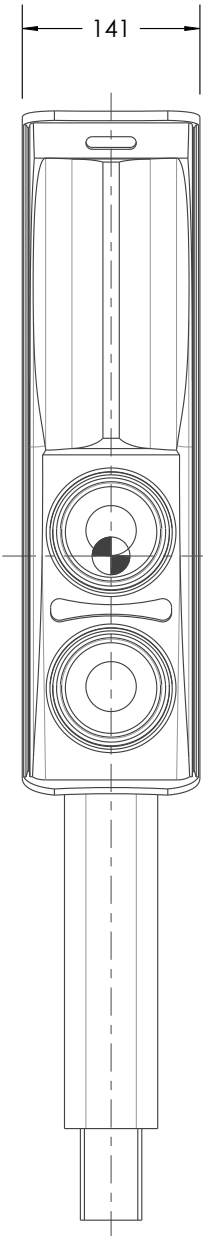
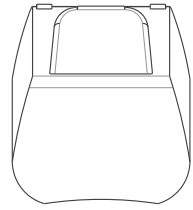
SCALE: 1:10 CAD FILE: FG-901483-2D.A.2 SHEET: 1 OF 5

THIS DOCUMENT CONTAINS CONFIDENTIAL OR PROPRIETARY INFORMATION WHICH IS THE PROPERTY OF QSC, LLC. THAT MAY NOT BE DISCLOSED, REPRODUCED OR USED WITHOUT EXPRESS WRITTEN CONSENT FROM QSC, LLC. NO PORTION OF THIS DOCUMENT MAY BE REPRODUCED, REDISTRIBUTED, OR OTHERWISE DISCLOSED TO ANY THIRD PARTY WITHOUT QSC'S WRITTEN PERMISSION.

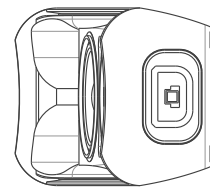
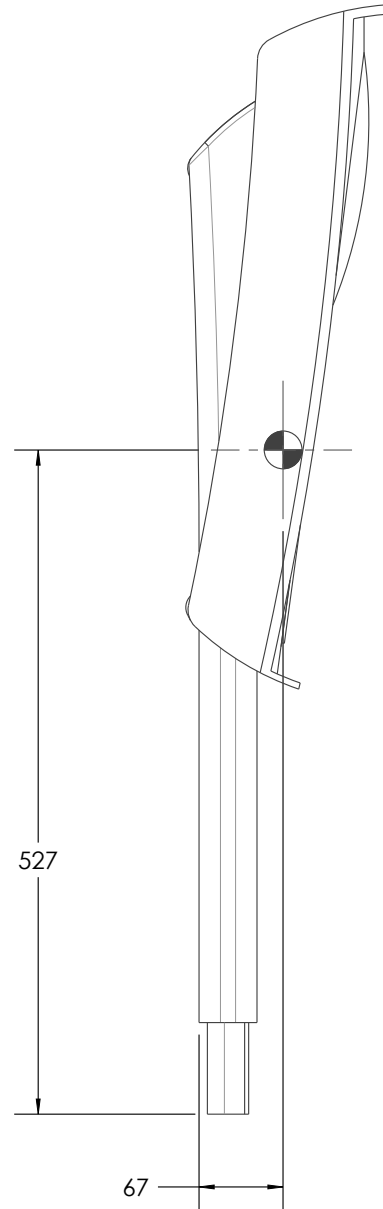


LOUDSPEAKER ASSEMBLY WITH POLE EXTENSION
NET WEIGHT APPROXIMATELY 26.8 KG [59.0 LBS]

THIS DOCUMENT CONTAINS CONFIDENTIAL OR PROPRIETARY INFORMATION WHICH IS THE PROPERTY OF QSC, LLC. THAT MAY NOT BE DISCLOSED, REPRODUCED OR USED WITHOUT EXPRESS WRITTEN CONSENT FROM QSC, LLC. NO PORTION OF THIS DOCUMENT MAY BE REPRODUCED, REDISTRIBUTED, OR OTHERWISE DISCLOSED TO ANY THIRD PARTY WITHOUT QSC'S WRITTEN PERMISSION.



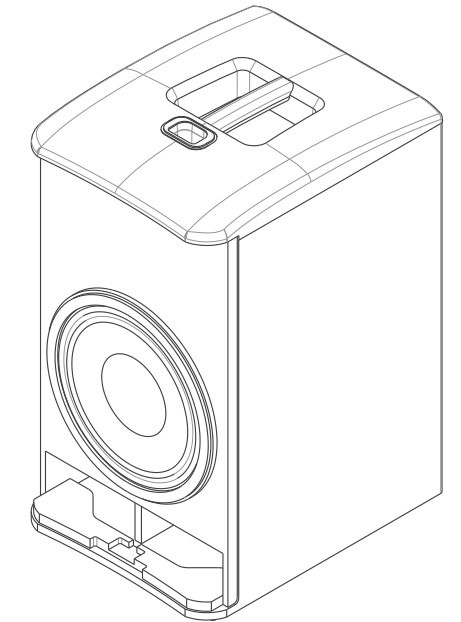
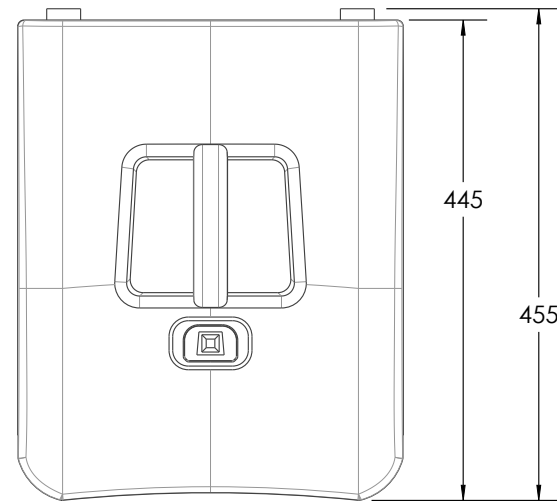
SCALE 1:6



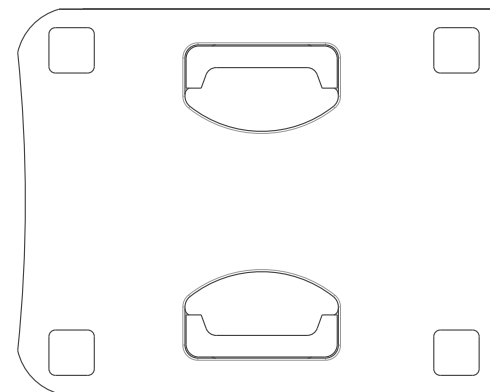
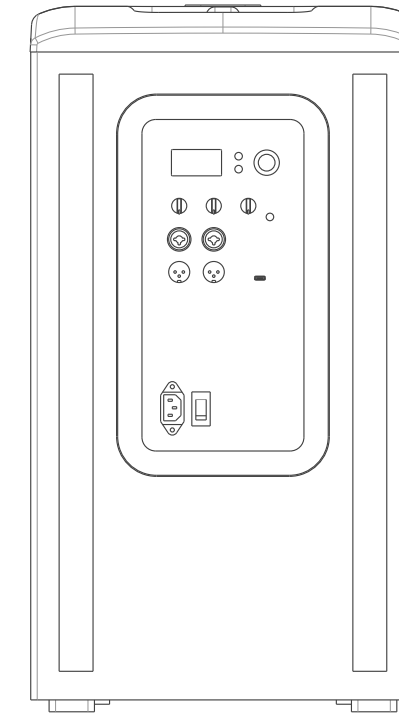
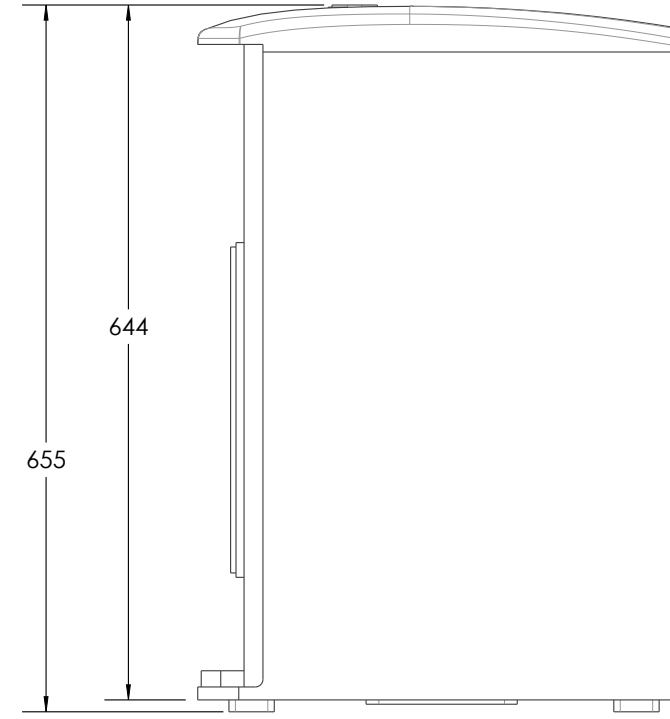
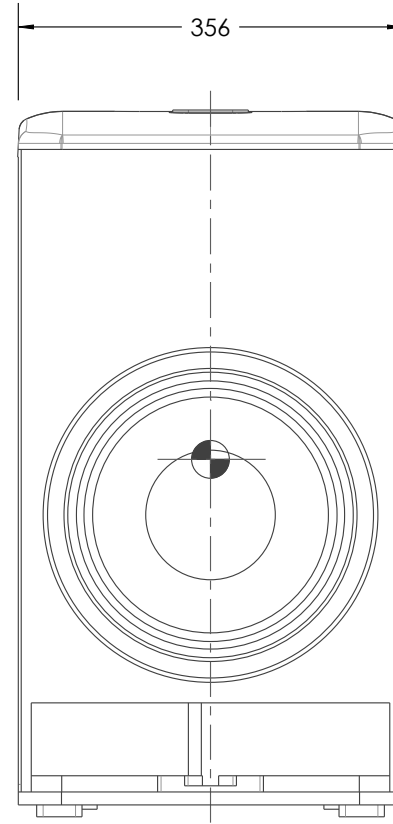
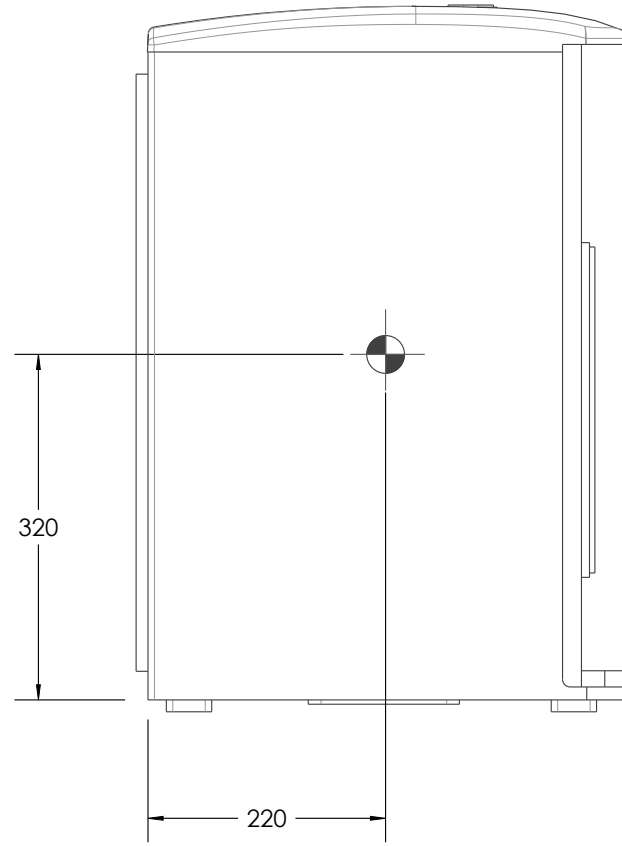
TOP BOX
NET WEIGHT APPROXIMATELY 4.0 KG [9 LBS]

SIZE	CAGE CODE	DWG. NO.	REV
B	00PW4	FG-901483-2D	A
SCALE: 1:6	CAD FILE: FG-901483-2D.A.2	SHEET: 3 OF 5	

THIS DOCUMENT CONTAINS CONFIDENTIAL OR PROPRIETARY INFORMATION WHICH IS THE PROPERTY OF QSC, LLC. THAT MAY NOT BE DISCLOSED, REPRODUCED OR USED WITHOUT EXPRESS WRITTEN CONSENT FROM QSC, LLC. NO PORTION OF THIS DOCUMENT MAY BE REPRODUCED, REDISTRIBUTED, OR OTHERWISE DISCLOSED TO ANY THIRD PARTY WITHOUT QSC'S WRITTEN PERMISSION.



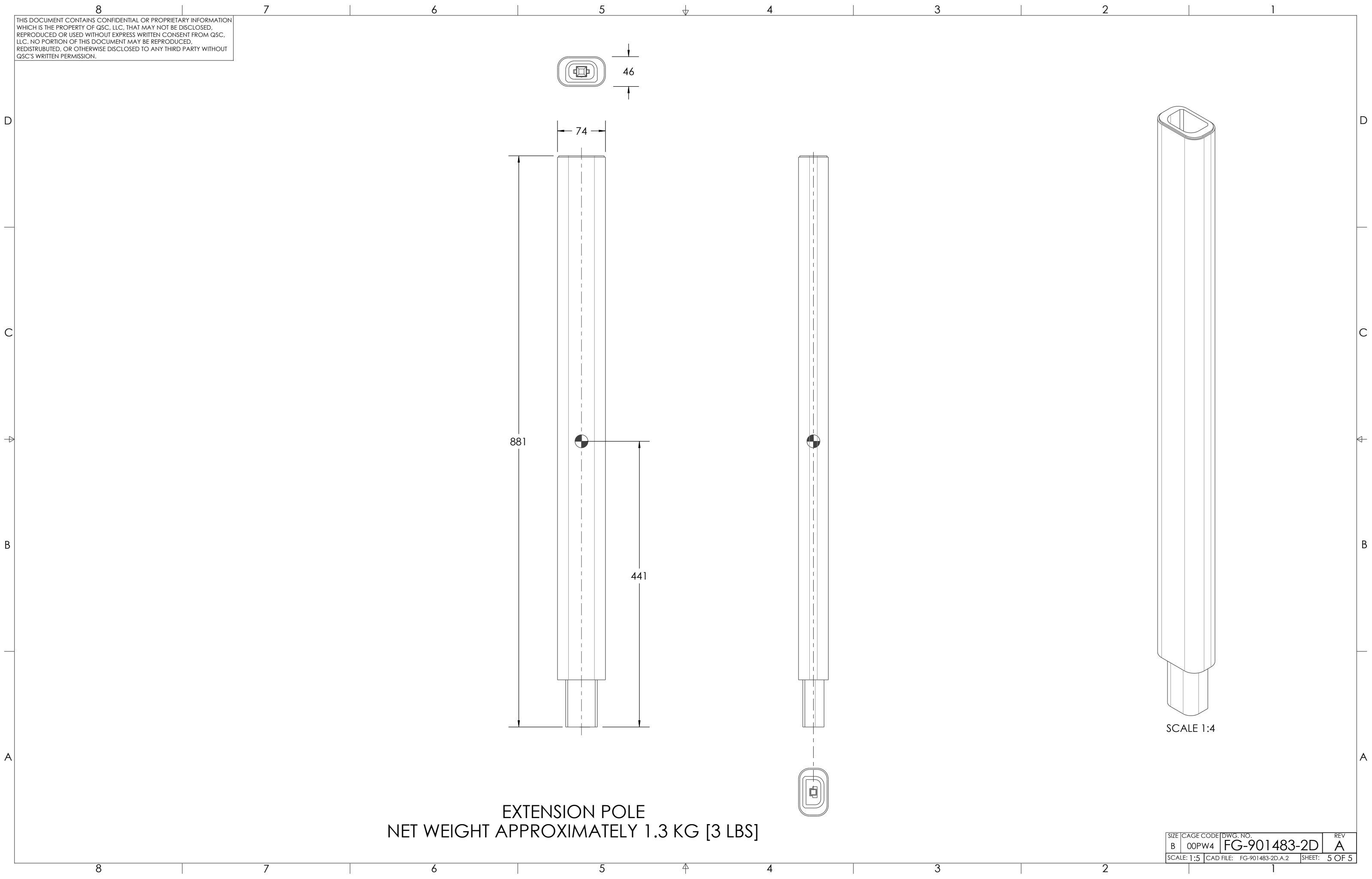
SCALE 1:10



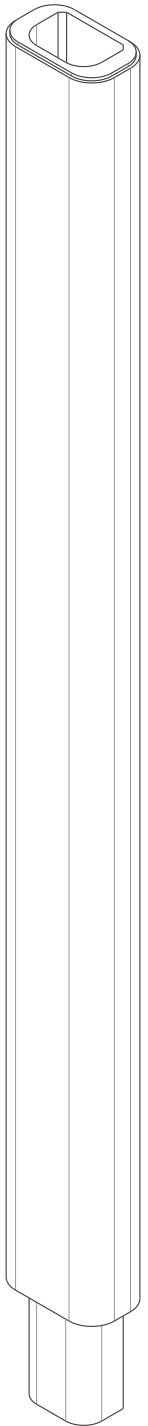
SUBWOOFER
NET WEIGHT APPROXIMATELY 21.5 KG [47 LBS]

SIZE	CAGE CODE	DWG. NO.	REV
B	00PW4	FG-901483-2D	A
SCALE: 1:7		CAD FILE: FG-901483-2D.A.2	SHEET: 4 OF 5

THIS DOCUMENT CONTAINS CONFIDENTIAL OR PROPRIETARY INFORMATION WHICH IS THE PROPERTY OF QSC, LLC. THAT MAY NOT BE DISCLOSED, REPRODUCED OR USED WITHOUT EXPRESS WRITTEN CONSENT FROM QSC, LLC. NO PORTION OF THIS DOCUMENT MAY BE REPRODUCED, REDISTRIBUTED, OR OTHERWISE DISCLOSED TO ANY THIRD PARTY WITHOUT QSC'S WRITTEN PERMISSION.



EXTENSION POLE
NET WEIGHT APPROXIMATELY 1.3 KG [3 LBS]



SCALE 1:4

SIZE	CAGE CODE	DWG. NO.	REV
B	00PW4	FG-901483-2D	A
SCALE: 1:5	CAD FILE: FG-901483-2D.A.2	SHEET: 5 OF 5	