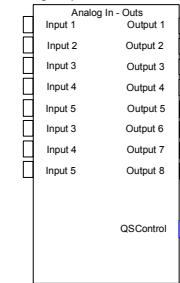


Recommended Processors:

- QSC DSP 322ua Unit
- QSC RAVE 522aa Unit
- QSC Basis 922az Unit

Note: The unit depicted is the DSP 322ua. For the ILA system shown, it requires a processor with 3 DataPort Outputs or 6 Analog Outputs.

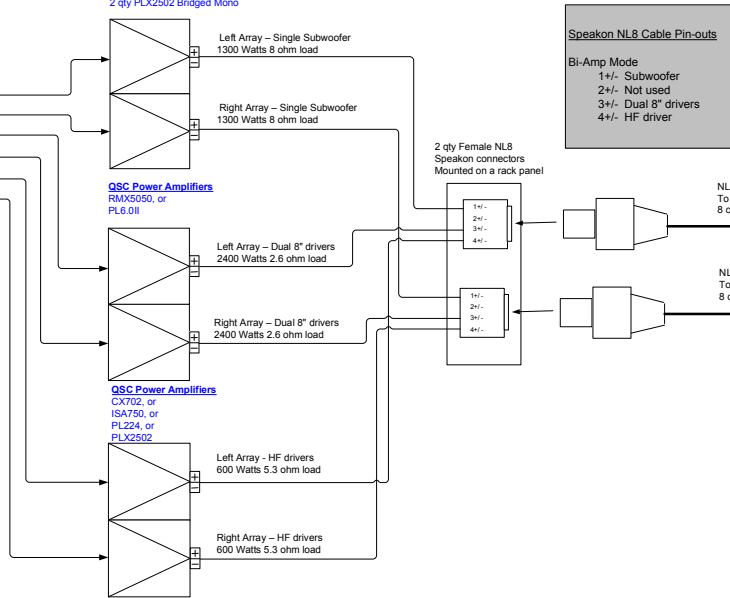


Important Note: For units with DataPorts, each DataPort provides a pair of balanced audio to the corresponding amplifier.

QSC Power Amplifiers
Single PL6.0II (as shown), or
2 qty CX502 Bridged Mono, or
2 qty ISA 750 Bridged Mono, or
2 qty PL224 Bridged Mono, or
2 qty PLX2502 Bridged Mono

QSC Power Amplifiers
RMX5050, or
PL6.0II

QSC Power Amplifiers
CX702, or
ISA750, or
PL224, or
PLX2502



Speakon NL8 Cable Pin-outs
Bi-Amp Mode
1+/- Subwoofer
2+/- Not used
3+/- Dual 8" drivers
4+/- HF driver

2 qty Female NL8
Speakon connectors
Mounted on a rack panel

NL8 Male
To NL8 Male
8 conductor 12 AWG

NL8 Male
To NL8 Male
8 conductor 12 AWG



Left Array

ILA Series
Line Array
WL2082-i

Left Array

ILA Series
Subwoofer
WL115-sw

Right Array

ILA Series
Line Array
WL2082-i

Right Array

ILA Series
Subwoofer
WL115-sw

System Layout

QSC Audio Products Inc.

ILA Series
Stereo line arrays with subs
3 elements per array

Bi-amp mode

Suspension Hardware Options

Parts

- FB2082-i – Fly Grid
- EB2082-i – Extension Bar
- PB2082-i – Pull-back Bar

For ILA WL2082-i only
1 qty FB-2082i per array

For ILA with Sub flown above array
1 qty FB2082-i per array

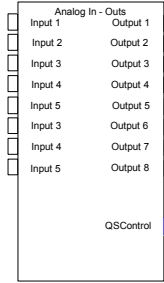
For ILA with Subs flown behind array
2 qty FB2082-i per array
1 qty EB2082-i per array

For larger arrays or arrays requiring
downward tilt more than 20 degrees
1 qty PB2082-i per array

Recommended Processors:

- QSC DSP 322ua Unit
- QSC RAVE 522aa Unit
- QSC Basis 914iz Unit

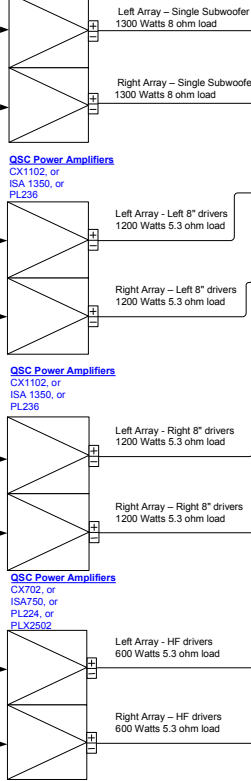
Note: The unit depicted is the DSP 322ua. For the ILA system shown, it requires a processor with 4 DataPort Outputs or 8 Analog Outputs.



Important Note: For units with DataPorts, each DataPort provides a pair of balanced audio to the corresponding amplifier.

QSC Power Amplifiers

- Single PL6.0II (as shown), or
- 2 qty CX502 Bridged Mono, or
- 2 qty ISA 750 Bridged Mono, or
- 2 qty PL224 Bridged Mono, or
- 2 qty PLX2502 Bridged Mono



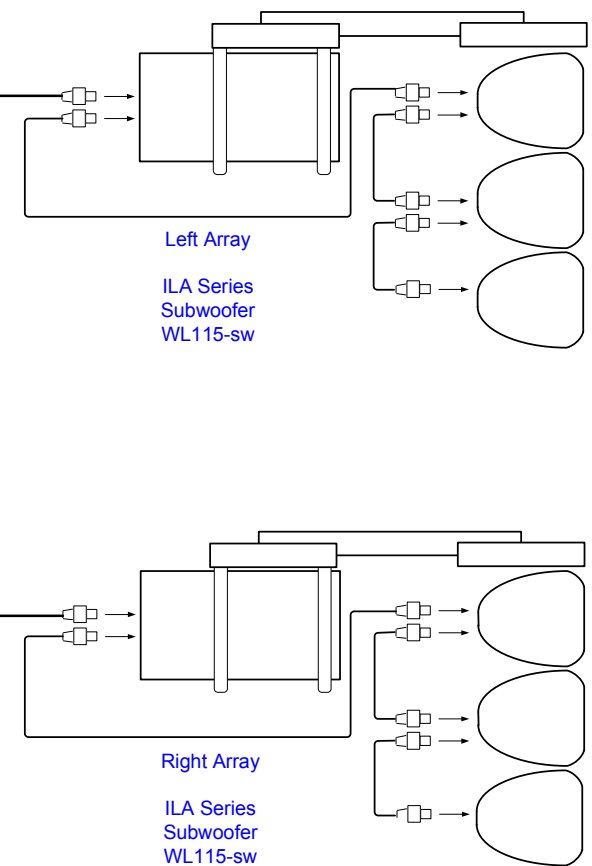
Speakon NL8 Cable Pin-outs

- Tri-Amp Mode
- 1+/- Subwoofer
 - 2+/- Left 8" drivers
 - 3+/- Right 8" drivers
 - 4+/- HF driver

2 qty Female NL8 Speakon connectors Mounted on a rack panel

NL8 Male To NL8 Male 8 conductor 12 AWG

NL8 Male To NL8 Male 8 conductor 12 AWG



Left Array

ILA Series Line Array WL2082-i

Left Array

ILA Series Subwoofer WL115-sw

Right Array

ILA Series Line Array WL2082-i

Right Array

ILA Series Subwoofer WL115-sw

System Layout

QSC Audio Products Inc.

ILA Series Stereo line arrays with subs 3 elements per array

Tri-amp mode

Suspension Hardware Options

Parts

- FB2082-i – Fly Grid
- EB2082-i – Extension Bar
- PB2082-i – Pull-back Bar

For ILA WL2082-i only
1 qty FB2082-i per array

For ILA with Sub flown above array
1 qty FB2082-i per array

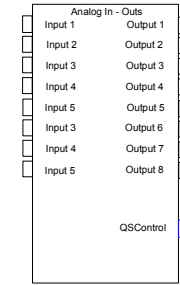
For ILA with Subs flown behind array
2 qty FB2082-i per array
1 qty EB2082-i per array

For larger arrays or arrays requiring downward tilt more than 20 degrees
1 qty PB2082-i per array

Recommended Processors:

QSC DSP 322ua Unit
 QSC RAVE 522aa Unit
 QSC Basis 922az Unit

Note: The unit depicted is the DSP 322ua. For the ILA system shown, it requires a processor with 3 DataPort Outputs or 6 Analog Outputs.



Important Note: For units with DataPorts, each DataPort provides a pair of balanced audio to the corresponding amplifier.

QSC Power Amplifiers
 Single PL6.0II (as shown), or
 2 qty CX502 Bridged Mono, or
 2 qty ISA 750 Bridged Mono, or
 2 qty PL224 Bridged Mono, or
 2 qty PLX2502 Bridged Mono

QSC Power Amplifiers
 RMX5050, or
 PL6.0II

QSC Power Amplifiers
 CX902, or
 ISA750, or
 PL224, or
 PLX2502

Speakon NL8 Cable Pin-outs

Bi-Amp Mode
 1+/- Subwoofer
 2+/- Not used
 3+/- Dual 8" drivers
 4+/- HF driver

2 qty Female NL8
 Speakon connectors
 Mounted on a rack panel

NL8 Male
 To NL8 Male
 8 conductor 12 AWG

NL8 Male
 To NL8 Male
 8 conductor 12 AWG



System Layout
 QSC Audio Products Inc.
 ILA Series
 Stereo line arrays with subs
 4 elements per array
 Bi-amp mode

Suspension Hardware Options

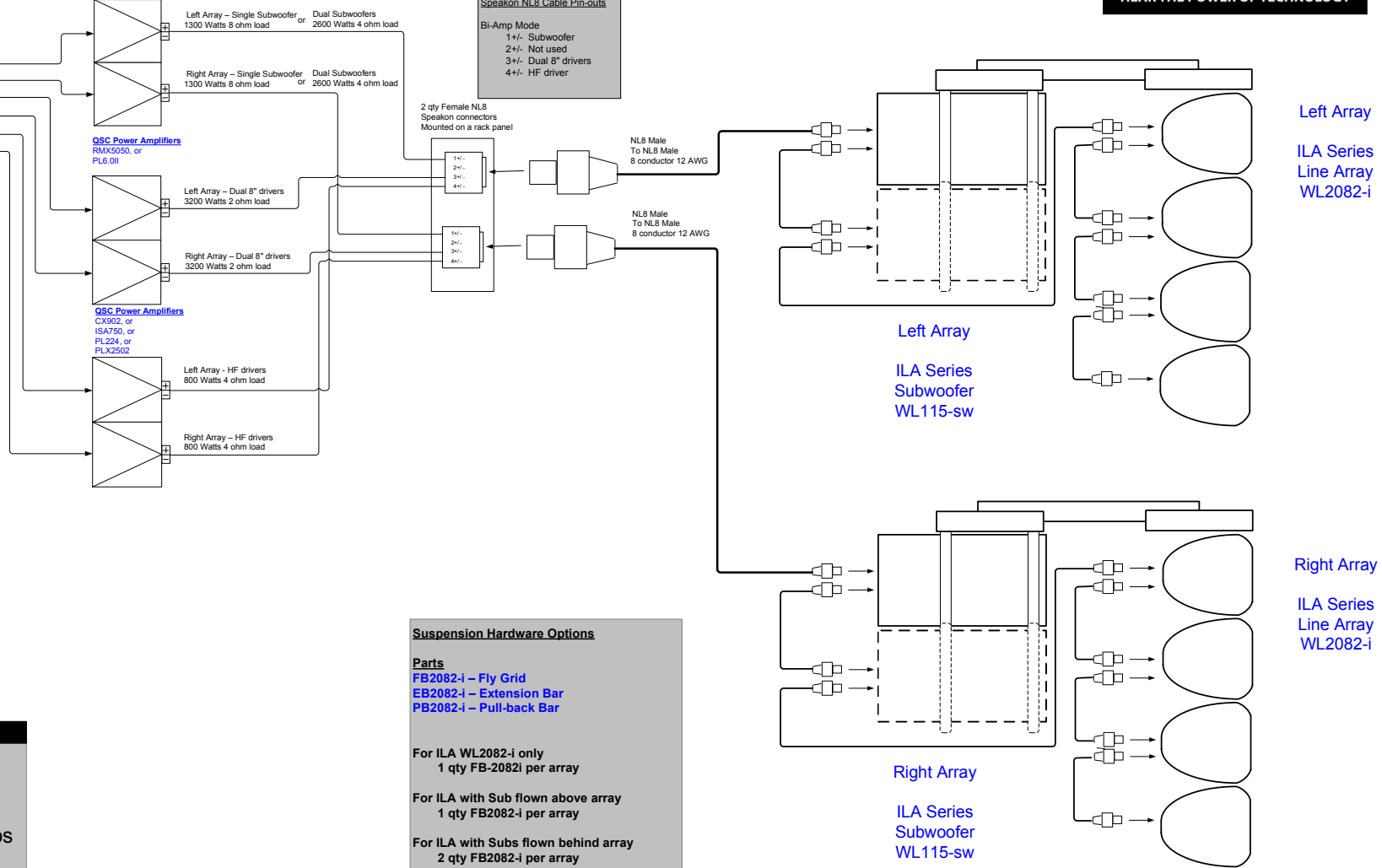
Parts
 FB2082-i – Fly Grid
 EB2082-i – Extension Bar
 PB2082-i – Pull-back Bar

For ILA WL2082-i only
 1 qty FB-2082i per array

For ILA with Sub flown above array
 1 qty FB2082-i per array

For ILA with Subs flown behind array
 2 qty FB2082-i per array
 1 qty EB2082-i per array

For larger arrays or arrays requiring
 downward tilt more than 20 degrees
 1 qty PB2082-i per array



Left Array

ILA Series
 Line Array
 WL2082-i

Left Array

ILA Series
 Subwoofer
 WL115-sw

Right Array

ILA Series
 Line Array
 WL2082-i

Right Array

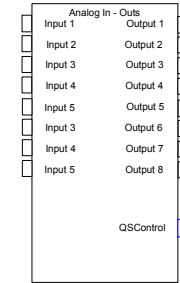
ILA Series
 Subwoofer
 WL115-sw



Recommended Processors:

- QSC DSP 322ua Unit
- QSC RAVE 522aa Unit
- QSC Basis 914iz Unit

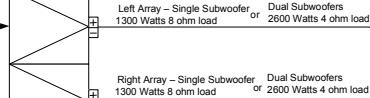
Note: The unit depicted is the DSP 322ua. For the ILA system shown, it requires a processor with 4 DataPort Outputs or 8 Analog Outputs.



Important Note: For units with DataPorts, each DataPort provides a pair of balanced audio to the corresponding amplifier.

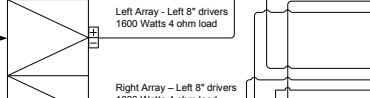
QSC Power Amplifiers

- Single PL6.0II (as shown), or
- 2 qty CX502 Bridged Mono, or
- 2 qty ISA 750 Bridged Mono, or
- 2 qty PL224 Bridged Mono, or
- 2 qty PLX2502 Bridged Mono



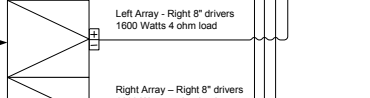
QSC Power Amplifiers

- CX1102, or
- ISA 1350, or
- PL236, or
- PLX3602



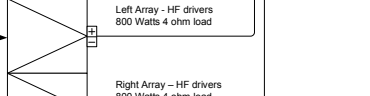
QSC Power Amplifiers

- CX1102, or
- ISA 1350, or
- PL236, or
- PLX3602



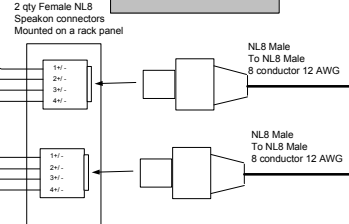
QSC Power Amplifiers

- CX1102, or
- ISA750, or
- PL224, or
- PLX2502



Speakon NL8 Cable Pin-outs

- Tri-Amp Mode
- 1+/- Subwoofer
 - 2+/- Left 8" drivers
 - 3+/- Right 8" drivers
 - 4+/- HF driver



Suspension Hardware Options

Parts

- FB2082-i – Fly Grid
- EB2082-i – Extension Bar
- PB2082-i – Pull-back Bar

For ILA WL2082-i only
1 qty FB2082-i per array

For ILA with Sub flown above array
1 qty FB2082-i per array

For ILA with Subs flown behind array
2 qty FB2082-i per array
1 qty EB2082-i per array

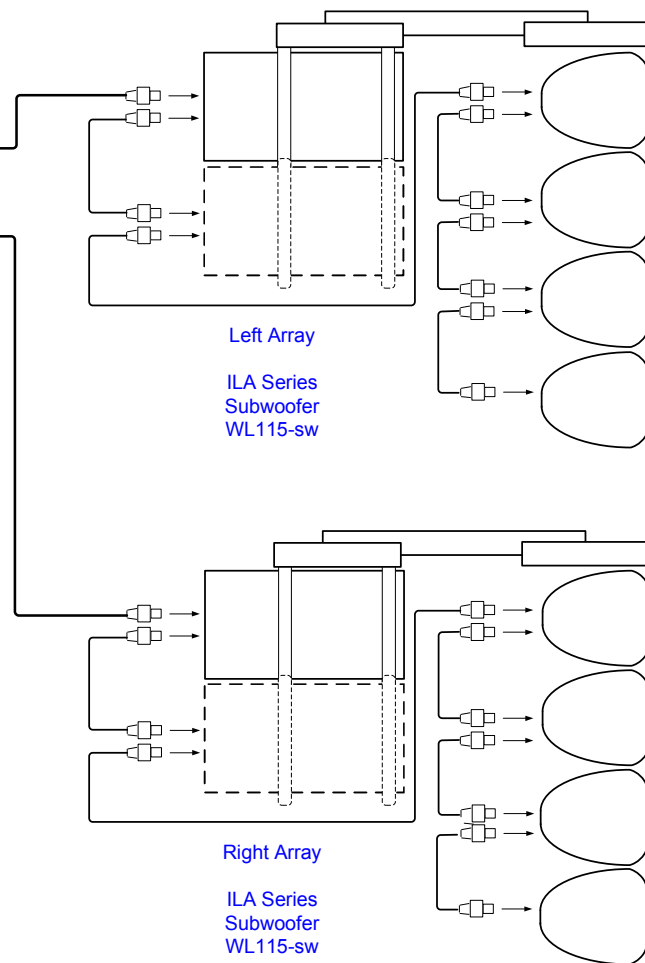
For larger arrays or arrays requiring downward tilt more than 20 degrees
1 qty PB2082-i per array

System Layout

QSC Audio Products Inc.

ILA Series
Stereo line arrays with subs
4 elements per array

Tri-amp mode



Left Array

ILA Series
Line Array
WL2082-i

Left Array

ILA Series
Subwoofer
WL115-sw

Right Array

ILA Series
Line Array
WL2082-i

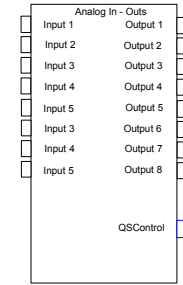
Right Array

ILA Series
Subwoofer
WL115-sw

Recommended Processors:

- QSC DSP 322ua Unit
- QSC RAVE 522aa Unit
- QSC Basis 914iz Unit

Note: The unit depicted is the DSP 322ua. For the ILA system shown, it requires a processor with 7 DataPort Outputs, or 8 Analog Outputs. If using the Bridged Mono amplifier option, you will need 12 DataPort Outputs or 8 Analog Outputs



QSC Power Amplifiers

- Single PL6.0i (as shown), or
- 2 qty CX902 (Bridged Mono), or
- 2 qty ISA1350 (Bridged Mono), or
- 2 qty PL224 (Bridged Mono), or
- 2 qty PLX2502 (Bridged Mono)

Left Array – Dual Subwoofers
2600 Watts 4 ohm load

QSC Power Amplifiers

- CX1102, or
- ISA 1350, or
- PL236, or
- PLX3602

Right Array – Dual Subwoofers
2600 Watts 4 ohm load

QSC Power Amplifiers

- CX1102, or
- ISA 1350, or
- PL236, or
- PLX3602

Top Left Array – Left 8" drivers
1200 Watts 5.3 ohm load

QSC Power Amplifiers

- CX1102, or
- ISA 1350, or
- PL236, or
- PLX3602

Bottom Left Array – Left 8" drivers
1200 Watts 5.3 ohm load

QSC Power Amplifiers

- CX1102, or
- ISA 1350, or
- PL236, or
- PLX3602

Top Left Array – Right 8" drivers
1200 Watts 5.3 ohm load

QSC Power Amplifiers

- CX702, or
- ISA750, or
- PL224, or
- PLX2502

Bottom Left Array – Right 8" drivers
1200 Watts 5.3 ohm load

QSC Power Amplifiers

- CX1102, or
- ISA 1350, or
- PL236, or
- PLX3602

Top Right Array – Left 8" drivers
1200 Watts 5.3 ohm load

QSC Power Amplifiers

- CX1102, or
- ISA 1350, or
- PL236, or
- PLX3602

Bottom Right Array – Left 8" drivers
1200 Watts 5.3 ohm load

QSC Power Amplifiers

- CX1102, or
- ISA 1350, or
- PL236, or
- PLX3602

Top Right Array – Right 8" drivers
1200 Watts 5.3 ohm load

QSC Power Amplifiers

- CX702, or
- ISA750, or
- PL224, or
- PLX2502

Bottom Right Array – Right 8" drivers
1200 Watts 5.3 ohm load

QSC Power Amplifiers

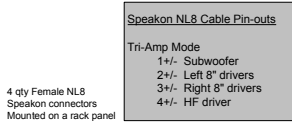
- CX702, or
- ISA750, or
- PL224, or
- PLX2502

Top Right Array – HF drivers
600 Watts 5.3 ohm load

QSC Power Amplifiers

- CX702, or
- ISA750, or
- PL224, or
- PLX2502

Bottom Right Array – HF drivers
600 Watts 5.3 ohm load



4 qty Female NL8
Speaker connectors
Mounted on a rack panel

NL8 Male
To NL8 Male
8 conductor 12 AWG

NL8 Male
To NL8 Male
8 conductor 12 AWG

NL8 Male
To NL8 Male
8 conductor 12 AWG

NL8 Male
To NL8 Male
8 conductor 12 AWG

Suspension Hardware Options

Parts
 FB2082-i – Fly Grid
 EB2082-i – Extension Bar
 PB2082-i – Pull-back Bar

For ILA WL2082-i only
 1 qty FB2082-i per array

For ILA with Sub flown above array
 1 qty FB2082-i per array

For ILA with Subs flown behind array
 2 qty FB2082-i per array
 1 qty EB2082-i per array

For larger arrays or arrays requiring
 downward tilt more than 20 degrees
 1 qty PB2082-i per array



Left Array

ILA Series
Subwoofer
WL115-sw

Left Array

ILA Series
Line Array
WL2082-i

Right Array

ILA Series
Subwoofer
WL115-sw

Right Array

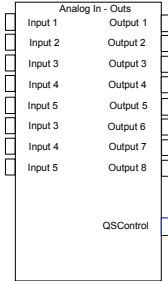
ILA Series
Line Array
WL2082-i

System Layout
 QSC Audio Products Inc.
 ILA Series
 Stereo line arrays with subs
 6 elements per array
 Tri-amp mode

Recommended Processors:

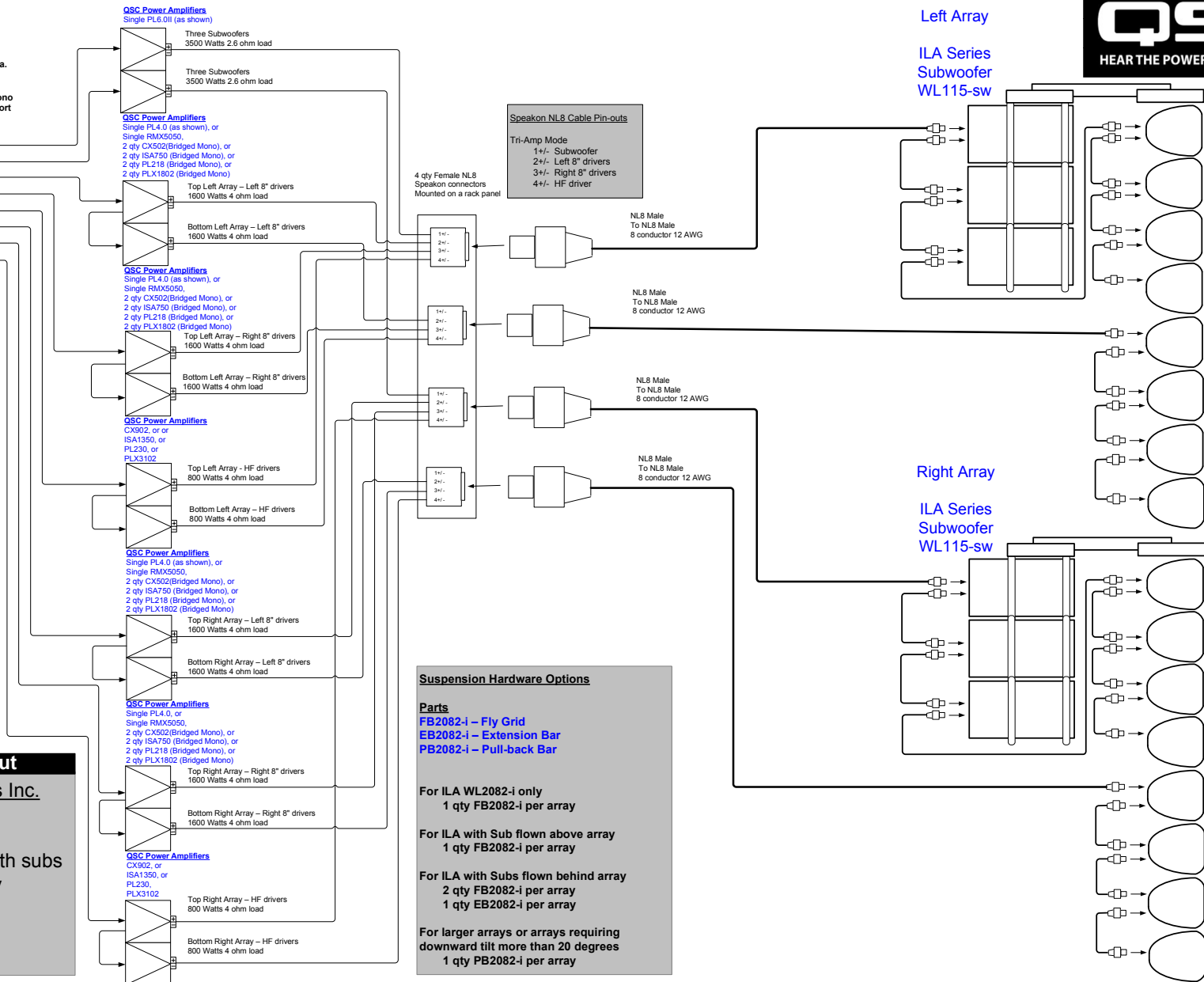
- QSC DSP 322ua Unit
- QSC RAVE 522aa Unit
- QSC Basis 914iz Unit

Note: The unit depicted is the DSP 322ua. For the ILA system shown, it requires a processor with 7 DataPort Outputs, or 8 Analog Outputs. If using the Bridged Mono amplifier option, you will need 12 DataPort Outputs or 8 Analog Outputs



Important Note: For units with DataPorts, each DataPort provides a pair of balanced audio to the corresponding amplifier.

System Layout
 QSC Audio Products Inc.
 ILA Series
 Stereo line arrays with subs
 8 elements per array
 Tri-amp mode



Suspension Hardware Options

Parts
 FB2082-i – Fly Grid
 EB2082-i – Extension Bar
 PB2082-i – Pull-back Bar

For ILA WL2082-i only
 1 qty FB2082-i per array

For ILA with Sub flown above array
 1 qty FB2082-i per array

For ILA with Subs flown behind array
 2 qty FB2082-i per array
 1 qty EB2082-i per array

For larger arrays or arrays requiring downward tilt more than 20 degrees
 1 qty PB2082-i per array

